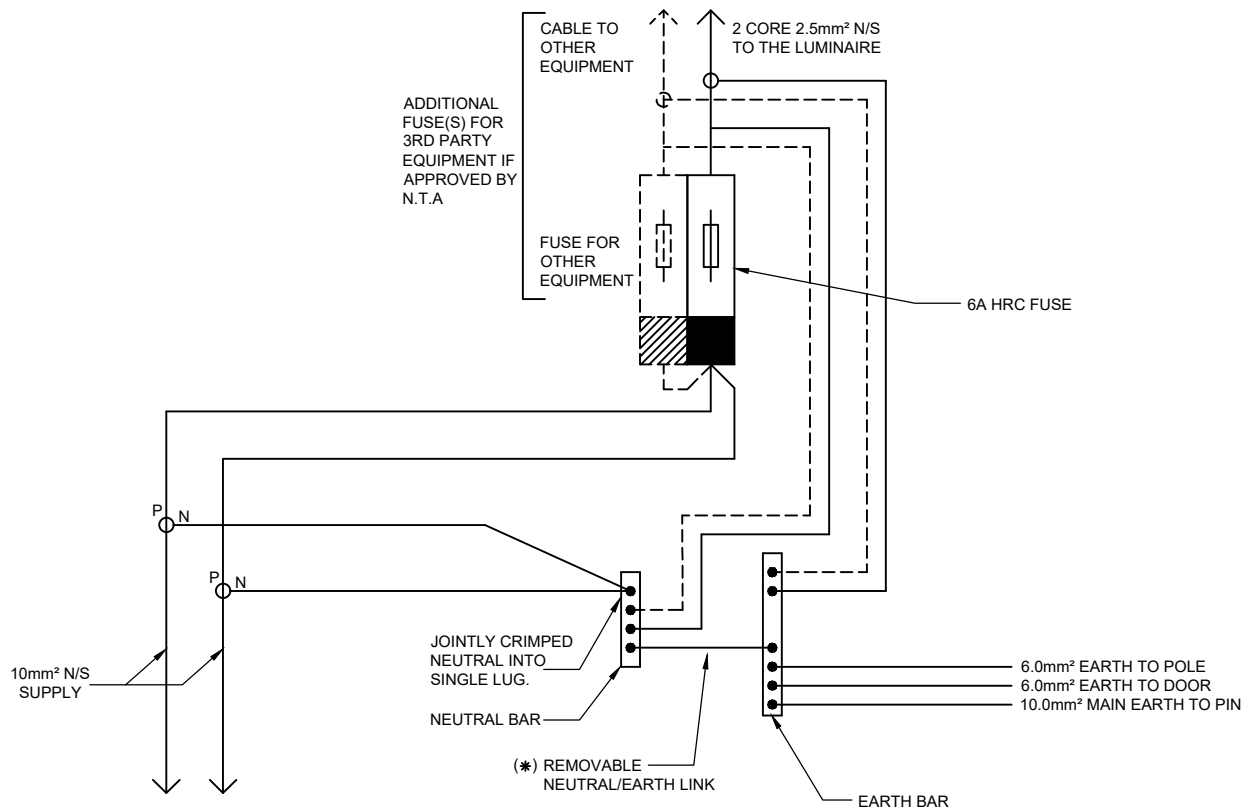


100 mm  
50  
20  
10 mm  
0



**STANDARD STREETLIGHTING POLE ELECTRICAL CONNECTIONS**

NOTE: (\*) DELETE THE MEN LINK WHERE THE SUPPLY CIRCUIT ORIGINATES FROM A LINKED BUS BAR SWITCHBOARD.

**NORTHLAND TRANSPORTATION ALLIANCE**



**LDP Ltd**

Independent Electrical & Illumination Engineers

			<b>NORTHLAND TRANSPORTATION ALLIANCE</b>		Project DESIGN MANUAL
					Title STREET LIGHTING ELECTRICAL CONNECTIONS
			Drawn JW	Designed JM	Date AUG 2020
1	1ST ISSUE	22-09-20	Project No. 19-0128-001A		Scale NTS
Revision Amendment		Date	Project No.		Revision
			19-0128-001A		E01
					1